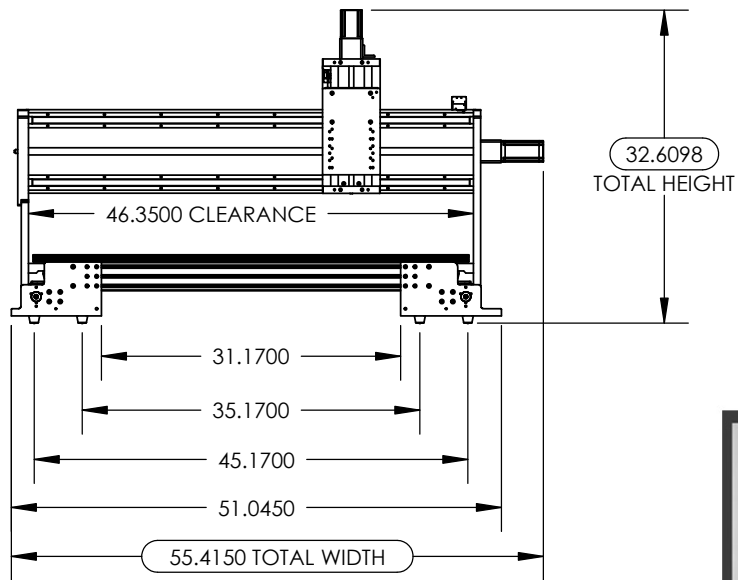
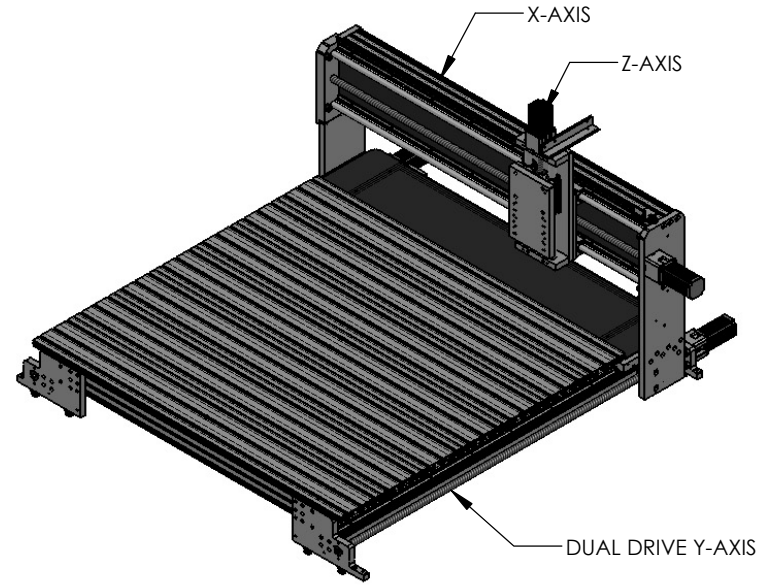


57.9790  
TOTAL LENGTH

42.0000  
TABLE TOP

45.3500 TABLE TOP

TABLE TOP \*REMOVAL WILL PROVIDE  
AN OPEN BED CLEARANCE OF:  
36.0700IN (X) AND 47.7500IN (Y)



32.6098  
TOTAL HEIGHT

46.3500 CLEARANCE

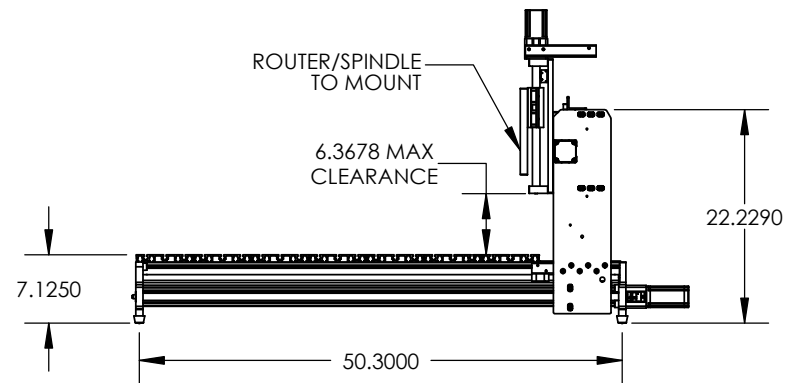
31.1700

35.1700

45.1700

51.0450

55.4150 TOTAL WIDTH



ROUTER/SPINDLE  
TO MOUNT

6.3678 MAX  
CLEARANCE

7.1250

50.3000

22.2290

**PUBLIC RELEASE**

\*\*\* MISSING DIMENSIONS ARE INTENTIONAL AND FOR PRODUCTION USE ONLY \*\*\*



UNLESS OTHERWISE SPECIFIED:  
DIMENSIONS ARE IN INCHES  
HOLES THROUGH ALL  
TOLERANCE :  
0.00 ±0.0100  
0.000 ±0.0050  
0.0000 ±0.0020  
INTERPRET GEOMETRIC  
TOLERANCING PER:  
MATERIAL  
FINISH  
DO NOT SCALE DRAWING

	NAME	DATE
DRAWN	CAD	2/17/2016
CHECKED		
ENG APPR.		
MFG APPR.		
THIRD ANGLE PROJECTION COMMENTS:		

<b>VELOX CNC</b>		
TITLE: <b>VR-3636</b>		
2016 CURRENT MODEL		
SIZE	PART NO.	REV
<b>A</b>	3636X	<b>3</b>
SCALE: 1:20	WEIGHT:	SHEET 2 OF 2