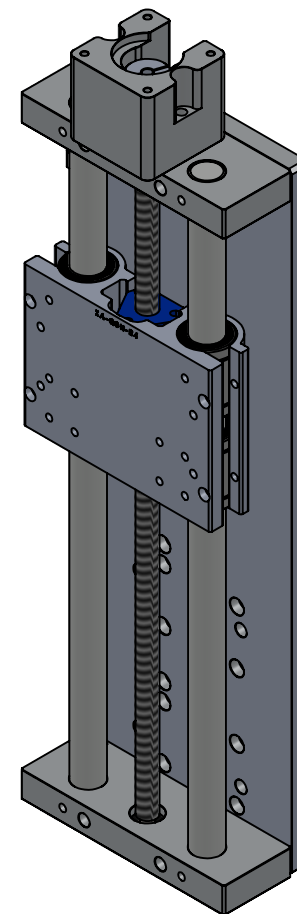
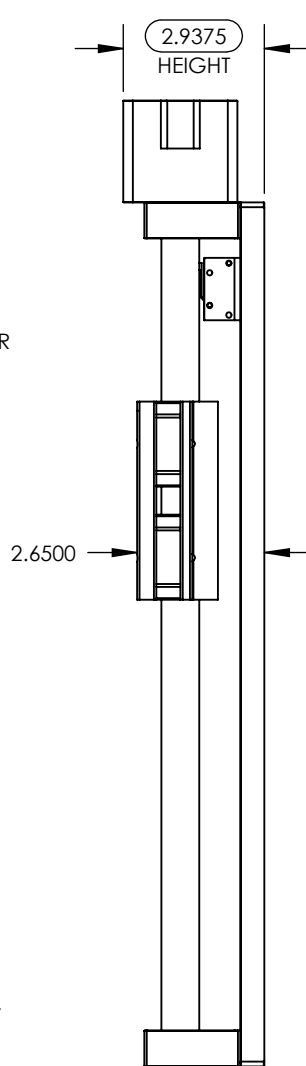
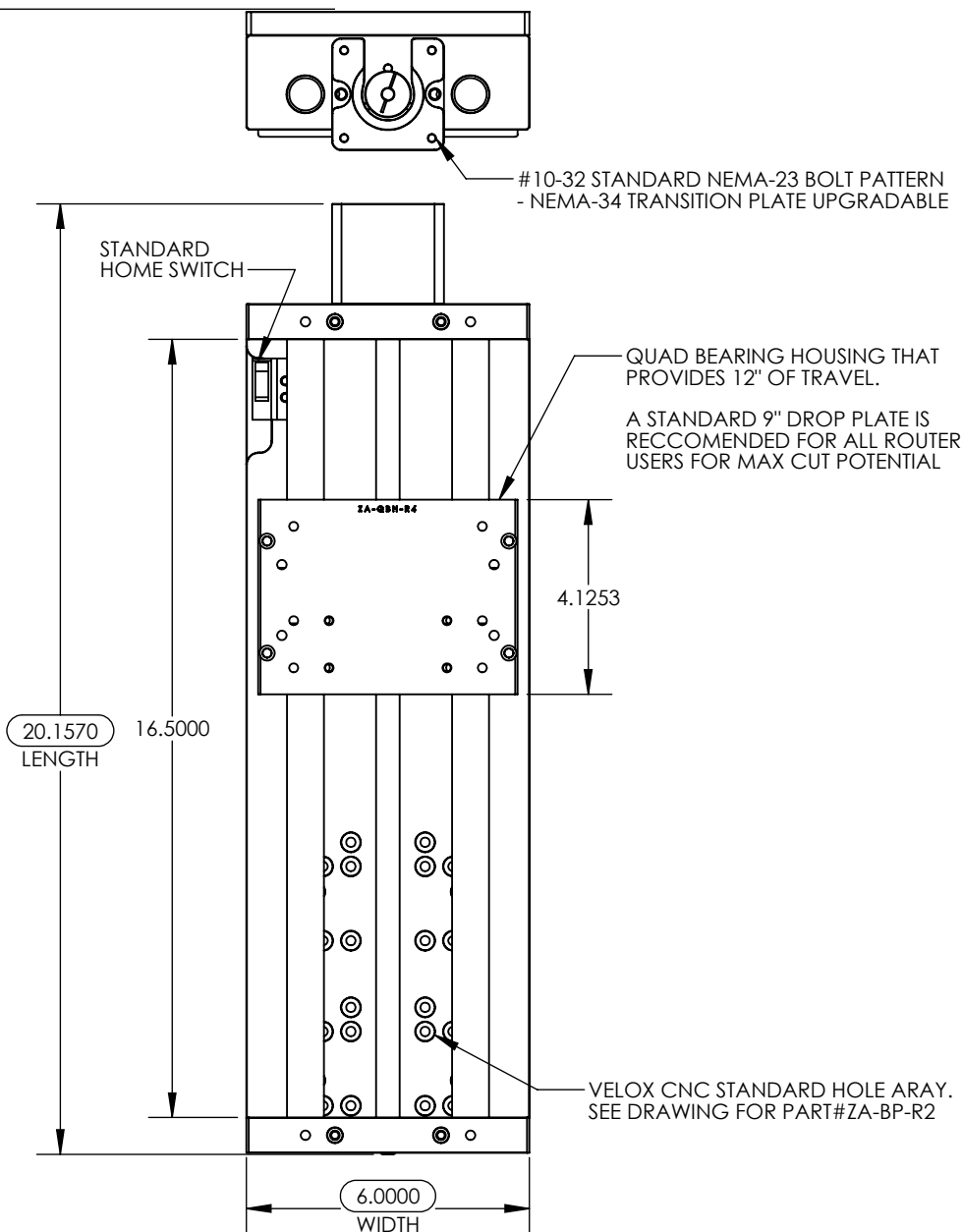


**\*PUBLIC RELEASE**

REVISIONS				
ZONE	REV.	DESCRIPTION	DATE	APPROVED
PUB	3	PUBLIC RELEASE DRAWING	10/27/2015	CP



	NAME	DATE
DRAWN	CAD	10/27/2015
CHECKED		
ENG APPR.		
MFG APPR.		
THIRD ANGLE PROJECTION		
COMMENTS:		

<b>VELOX CNC</b>		
TITLE: <b>ZA1200QR</b>		
CONFIGURATION: <b>ZA1200QR</b>		
SIZE PART NO. <b>A</b>	REV <b>3</b>	
SCALE: 1:4	WEIGHT:	SHEET 4 OF 4