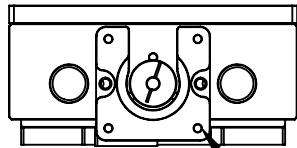
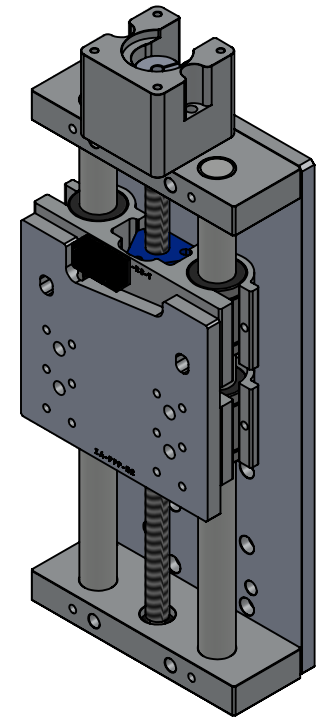
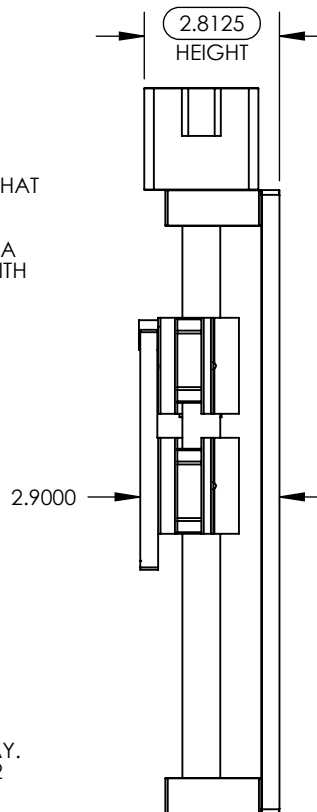
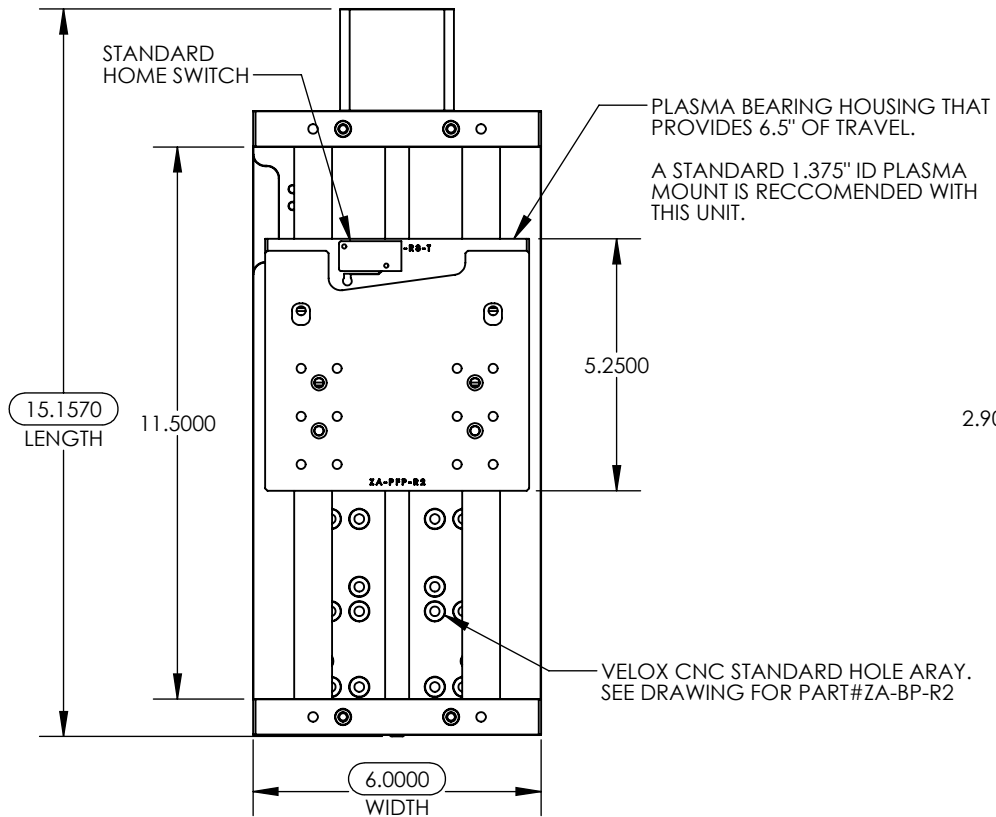


**\*PUBLIC RELEASE**

REVISIONS				
ZONE	REV.	DESCRIPTION	DATE	APPROVED
PUB	3	PUBLIC RELEASE DRAWING	10/27/2015	CP



#10-32 STANDARD NEMA-23 BOLT PATTERN  
- NEMA-34 TRANSITION PLATE UPGRADABLE



	NAME	DATE
DRAWN	CAD	10/27/2015
CHECKED		
ENG APPR.		
MFG APPR.		
THIRD ANGLE PROJECTION		
COMMENTS:		

<b>VELOX CNC</b>	
TITLE:	
<b>ZA650P</b>	
CONFIGURATION: <b>ZA650P</b>	
SIZE PART NO.	REV
<b>A</b>	<b>3</b>
SCALE: 1:4	WEIGHT:
SHEET 5 OF 5	