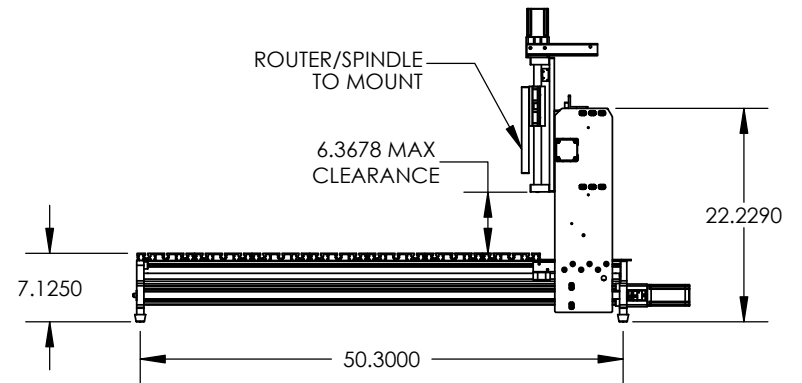
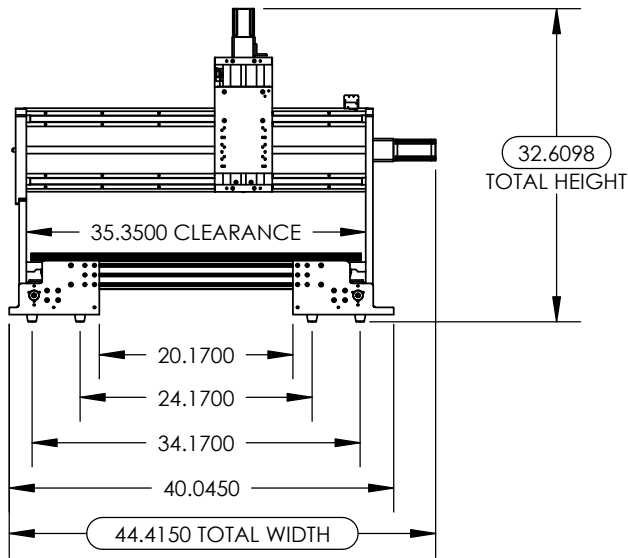
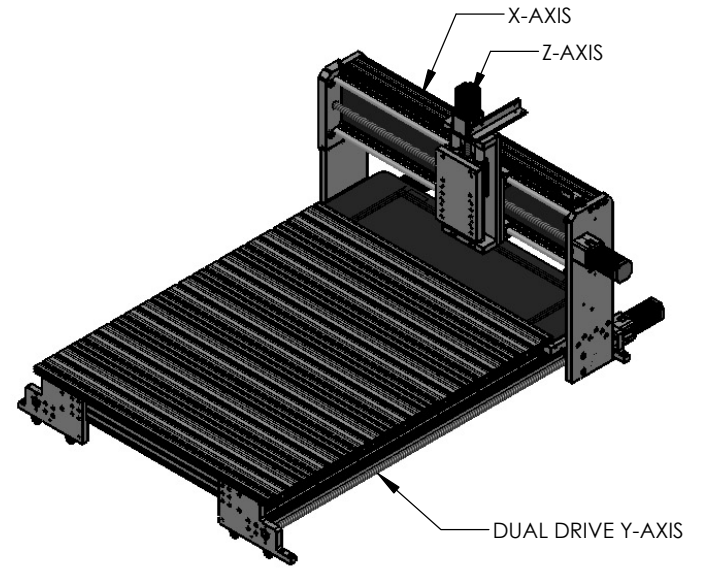


TABLE TOP \*REMOVAL WILL PROVIDE  
AN OPEN BED CLEARANCE OF:  
25.0700IN (X) AND 36.7500IN (Y)



UNLESS OTHERWISE SPECIFIED:  
DIMENSIONS ARE IN INCHES  
HOLES THROUGH ALL  
TOLERANCE :  
0.00 ±0.0100  
0.000 ±0.0050  
0.0000 ±0.0020  
INTERPRET GEOMETRIC  
TOLERANCING PER:  
MATERIAL  
FINISH  
DO NOT SCALE DRAWING

NAME	DATE
DRAWN CAD	2/17/2016
CHECKED	
ENG APPR.	
MFG APPR.	
THIRD ANGLE PROJECTION COMMENTS:	

<b>VELOX CNC</b>		
TITLE: <b>VR-2536</b>		
2016 CURRENT MODEL		
SIZE	PART NO.	REV
<b>A</b>	2536X	<b>3</b>
SCALE: 1:20	WEIGHT:	SHEET 6 OF 8

**PUBLIC RELEASE**

\*\*\* MISSING DIMENSIONS ARE INTENTIONAL AND FOR PRODUCTION USE ONLY \*\*\*