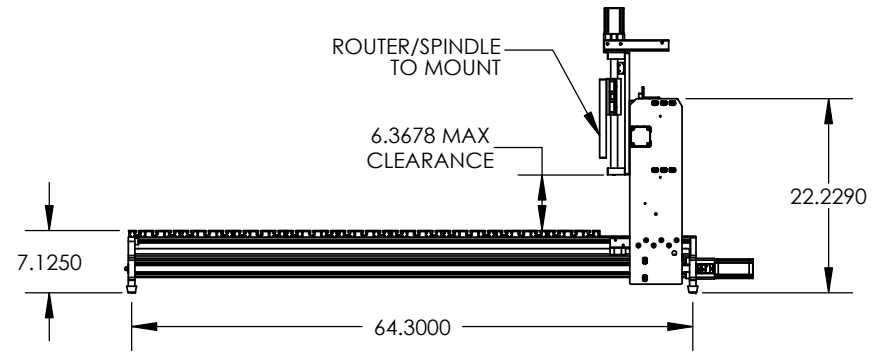
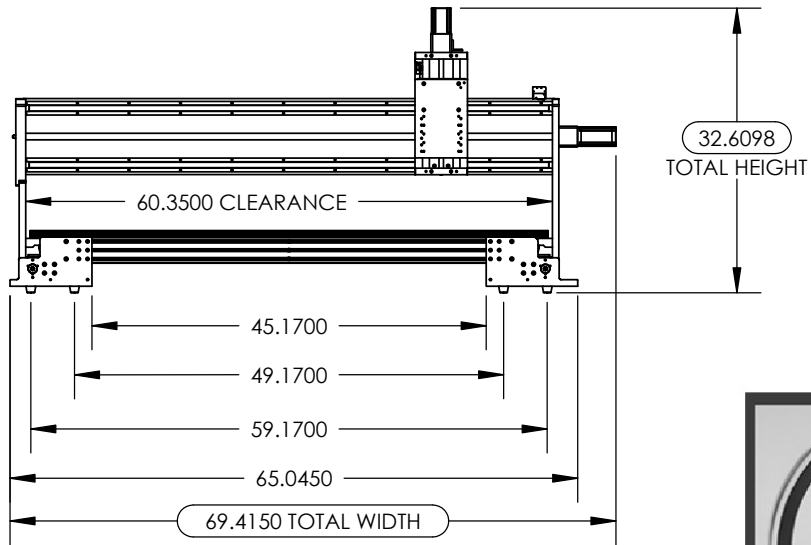


TABLE TOP *REMOVAL WILL PROVIDE AN OPEN BED CLEARANCE OF: 50.0700IN (X) AND 61.7500IN (Y)



PUBLIC RELEASE

*** MISSING DIMENSIONS ARE INTENTIONAL AND FOR PRODUCTION USE ONLY ***



UNLESS OTHERWISE SPECIFIED:
 DIMENSIONS ARE IN INCHES
 HOLES THROUGH ALL
 TOLERANCE :
 0.00 ±0.0100
 0.000 ±0.0050
 0.0000 ±0.0020
 INTERPRET GEOMETRIC TOLERANCING PER:
 MATERIAL
 FINISH
 DO NOT SCALE DRAWING

	NAME	DATE
DRAWN	CAD	2/17/2016
CHECKED		
ENG APPR.		
MFG APPR.		
THIRD ANGLE PROJECTION		
COMMENTS:		

VELOX CNC		
TITLE: VR-5050		
2016 CURRENT MODEL		
SIZE	PART NO.	REV
A	5050X	3
SCALE: 1:22	WEIGHT:	SHEET 1 OF 8